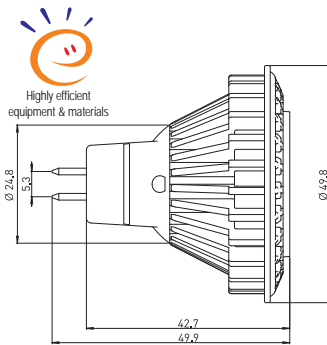


LED MR16 | LED BULB

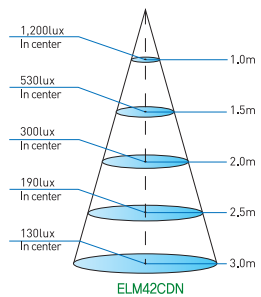
LED MR16



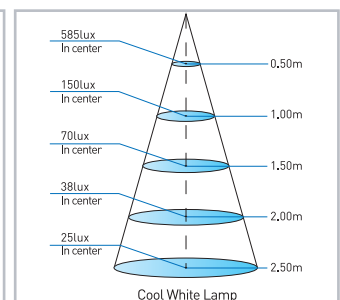
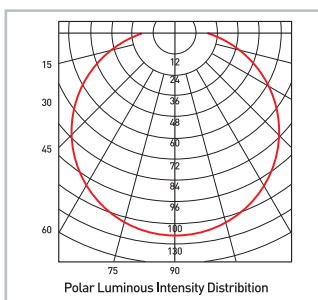
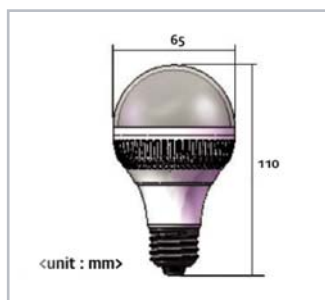
- Exterior Hight 57mm
 Width 50mm
- Weight 40g
- Life cycle 50,000 hours
- Components White LED: High-brightness Power LED
 Body : Aluminum and plastic material
- Uses Display lighting for department stores and shops
 Direct or indirect indoor lighting
 Lighting for studios, theater, and other interior settings

Model	Power (W)	Direction Angle(°)	CCT (K)	Flux (lm)	Efficiency (lm/W)	Illuminance (lux@1m)	CRI
ELM42CWS	4.2	14	3,000	220	52	1,300	80
ELM42CDS			5,500	230	55	1,500	70
ELM42CWN		20	3,000	220	52	1,100	80
ELM42CDN			5,500	230	55	1,300	70
ELM42CWM		28	3,000	220	52	850	80
ELM42CDM			5,500	230	55	1,000	70
ELM42CWH		40	3,000	220	52	500	80
ELM42CDH			5,500	230	55	600	70

- Input Voltage : AC /DC 12V
- Base : GU5.3
- Operating Temp : -20~ +50°C



LED Bulb



Model	CCT(K)	Direction Angle (deg)	Power(W)	Flux(lm)	Efficiency (lm/W)	Illuminance (lux@1m)	CRI	Power Factor
ELB07AWD	2,800	135	7	450	64	130	75 Ra	Over 0.90
ELB07AND	5,000			505	72	145	70 Ra	
ELB07ADD	5,700			555	79	150	75 Ra	

- Input Voltage : AC 100/220V 50/60Hz
- Base : E26, E27
- Operating Temp : -20~ +50°C

